

F7L 040-100 Series

Duplex Filter Assembly



Parts Matrix

F7L Parts Matrix (To be used with the F7L Pictorial)

Please read the following information prior to using this parts 'Matrix':

1. There are three different sizes of F7L assemblies, the -040, -080 & the -100. Only the Bowl (#1) and the Element (#2) are different. A subscript has been added to item numbers to differentiate between the sizes.
2. The F7L assemblies are offered with Buna O Rings and with Viton O Rings. Use either the Buna or the Viton Part Number column.
3. The F7L assemblies are offered with either a 100 psid bypass valve or a no-bypass valve options. Also, the head assembly is offered with either the SAE J514 straight thread port (-24) or with the SAE J518 four bolt flange port (Code 61). These options are part of the head assembly. See the Head Assembly table below.

	Head P/N with Bypass Valve	Head P/N without Bypass Valve
Head with SAE J514 Straight Thread Port	791.726.3	791.727.1
Head with SAE J518 Flange Port	791.728.9	791.729.7

4. The F7F assemblies are available with several different types of indicator devices – actuation is 75 PSID \pm 10%.
 - A. Manual reset indicator designated with the letters OD.
 - B. Visual / Electrical indicator designated with the letters OM. Note: All Electrical indicators require the "OD" visual indicator.
 - C. Visual / Electrical indicator with a thermal lockout of the electrical signal (Normally Open) designated with the letters TM.
 - D. Visual / Electrical indicator with a thermal lockout of the electrical signal (Normally Closed) designated with the letters UM
5. The F7L head assemblies have internal seals. Replacement seals are available in a kit. The kit contains all the seals required for the head assembly. Due to changes in the configuration of the heads, there are different kits for each configuration. See information in the "F7L Seals.doc".
6. The diverter valve and the head are a matched set. Therefore, replacement diverter valves are not offered. If the internal cavity of the head or if the diverter valve is damaged then the head assembly must be replaced.

Item No.	Part Name with actuation psig in ()	Buna Part Number	Viton Part Number	QTY	Comments and Notes
1-040	Bowl for F7L040 series	CF-220-0023	Same as Buna Part No.	2	
1-080	Bowl for F7L080 series	CF-220-0024	Same as Buna Part No	2	
1-100	Bowl for F7L100 series	CF-220-0025	Same as Buna Part No	2	
2	Element	See the F7F / F7L Brochure		2	
3	Bowl O Ring	240-B	240-V	2	
4	Post O Ring	131-B	131-V	2	
5	Head Assembly	See Table Above	Consult Factory	1	See Table in note3 above.
6	Nameplate	9327158	Same as Buna Part No	1	Not shown
7	Plug Shipping	N/A	N/A		
8 _{OK}	Electrical Section	851 9530 000	Same as Buna Part No	1	
8 _{TK}	Electrical Section – with Thermal Lockout	PiS3002	Same as Buna Part No	1	Normally Open
8 _{UK}	Electrical Section – with Thermal Lockout	PiS3003	Same as Buna Part No	1	Normally Closed
9 _D	Visual Indicator – manual reset	940 2100 206	9314771	1	
10	Plug (used in no indicator configurations)	851 0154 000	9314775	1	
11	Back-up Ring	62506-31	Same as Buna Part No		MS27595-240
12	N/A				
13	Safety Grip Tape	M-7571	Same as Buna Part No	2.4 Ft	Not Shown
14	Drain Plug	CF-720-0006	CF-720-0007	2	

Additional Hardware Information (No item number shown on pictorial documents)

Item Description	Part No.	Comments and Notes
Aluminum Handle	792.056.4	Replacement handle for units having an aluminum handle – not interchangeable with plastic handle.
Plastic Handle	835.018.3	Replacement handle for units having a plastic handle – not interchangeable with aluminum handle.
Running Surface	835.015.9	Only used on units (Configuration 2) that have a running surface.

SEAL KIT INFORMATION

FOR

F7L Duplex Filter Assemblies

Due to production changes there are several different seal kits for the F7L Duplex Filter assembly. The original version used an aluminum handle. The later version used a plastic handle with a plastic running surface. The “foot”, in the plastic handle, locks into a slot in the running surface. The latest version uses the plastic handle but does not have a running surface. The contour of the head assembly has been modified so that the “foot” latches on the aluminum head. Unfortunately, these different types also have minor internal changes, which require different size O rings. The seal kits are listed in “**TABLE 1**”.

If only the bowl seal or the element post seal is required, they can be found in “**TABLE 2**”.

TABLE 1

HANDLE TYPE	Aluminum	Plastic w/Running Surface	Plastic without Running S
Buna Seals	781.910.5	830.508.8	937.505.6
Viton Seals	781.911.3	830.507.0	937.506.4
EPR Seals	781.912.1	830.509.6	937.507.2

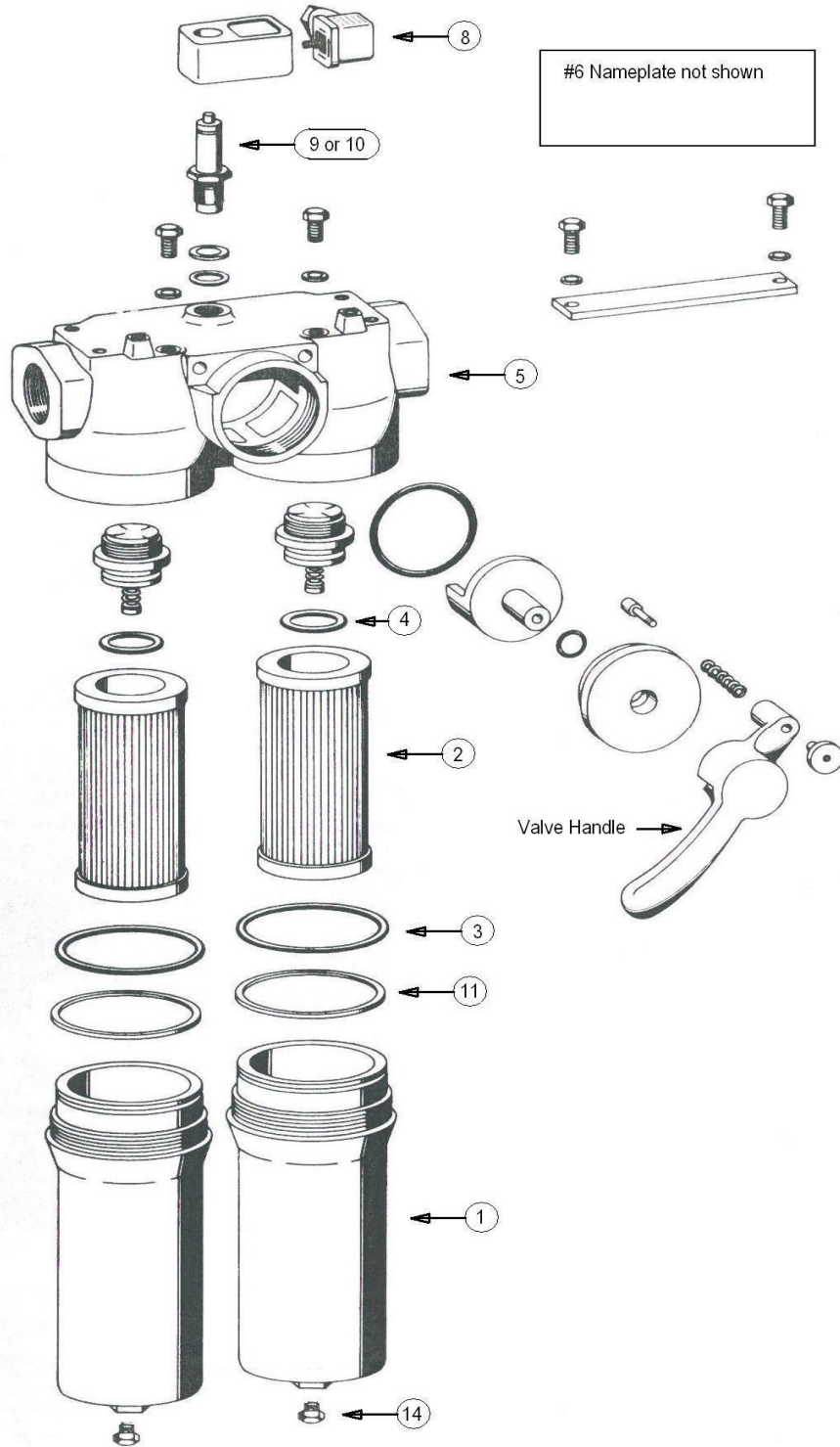
TABLE 2

WARNING: Buna filter assembly cannot change to a Viton filter assembly by just using the seals in **TABLE 2**. To convert complete filter assemblies to a different type seal configuration, please contact PTI Technologies Technical Service.

SEAL MATERIAL	POST O RING	BOWL O RING	Seal Kit*
BUNA	131-B	240-B	TBD
VITON	131-V	240-V	TBD

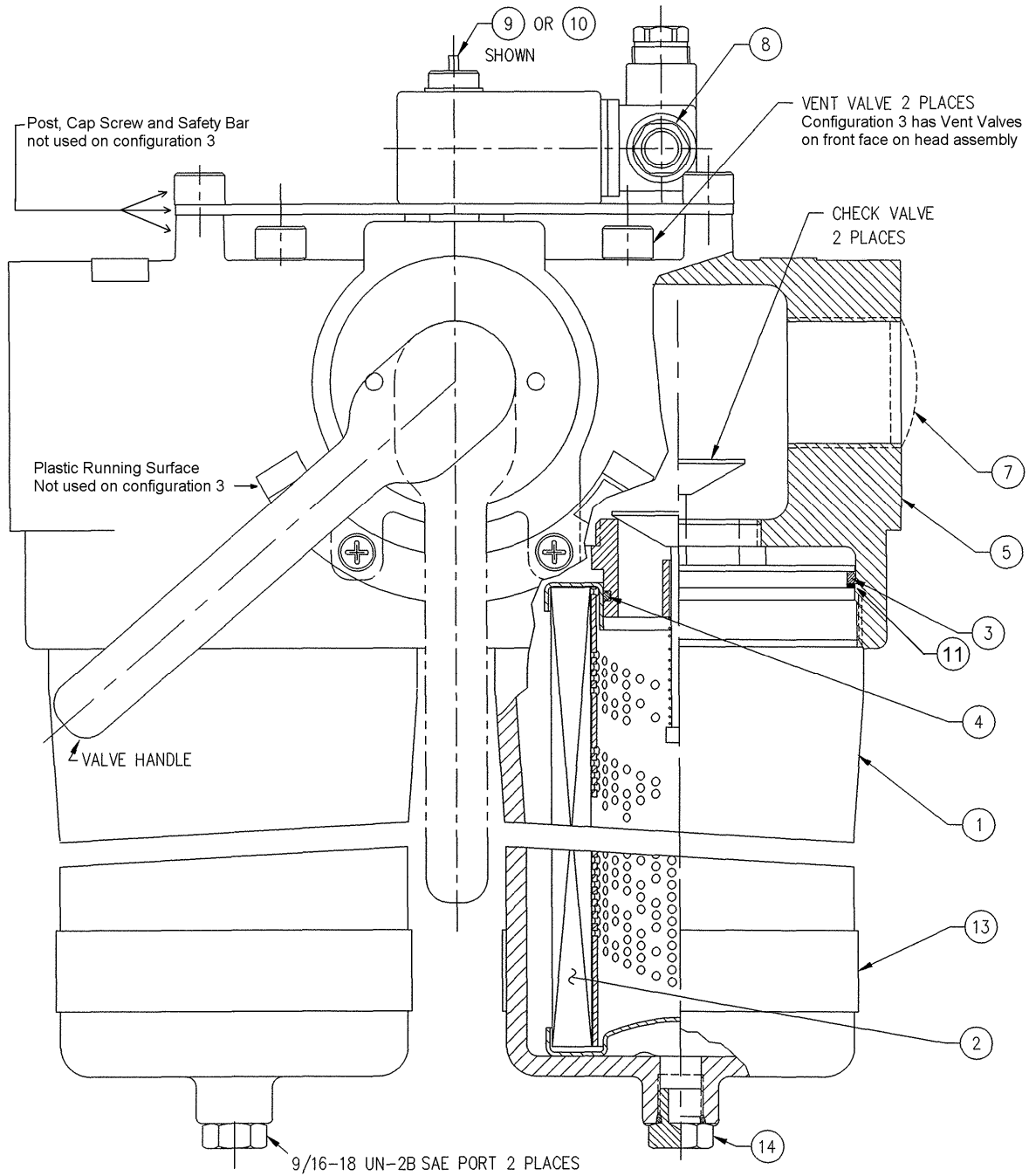
F7L Pictorial (Configuration 1)

(To be used with F7L Parts Matrix)



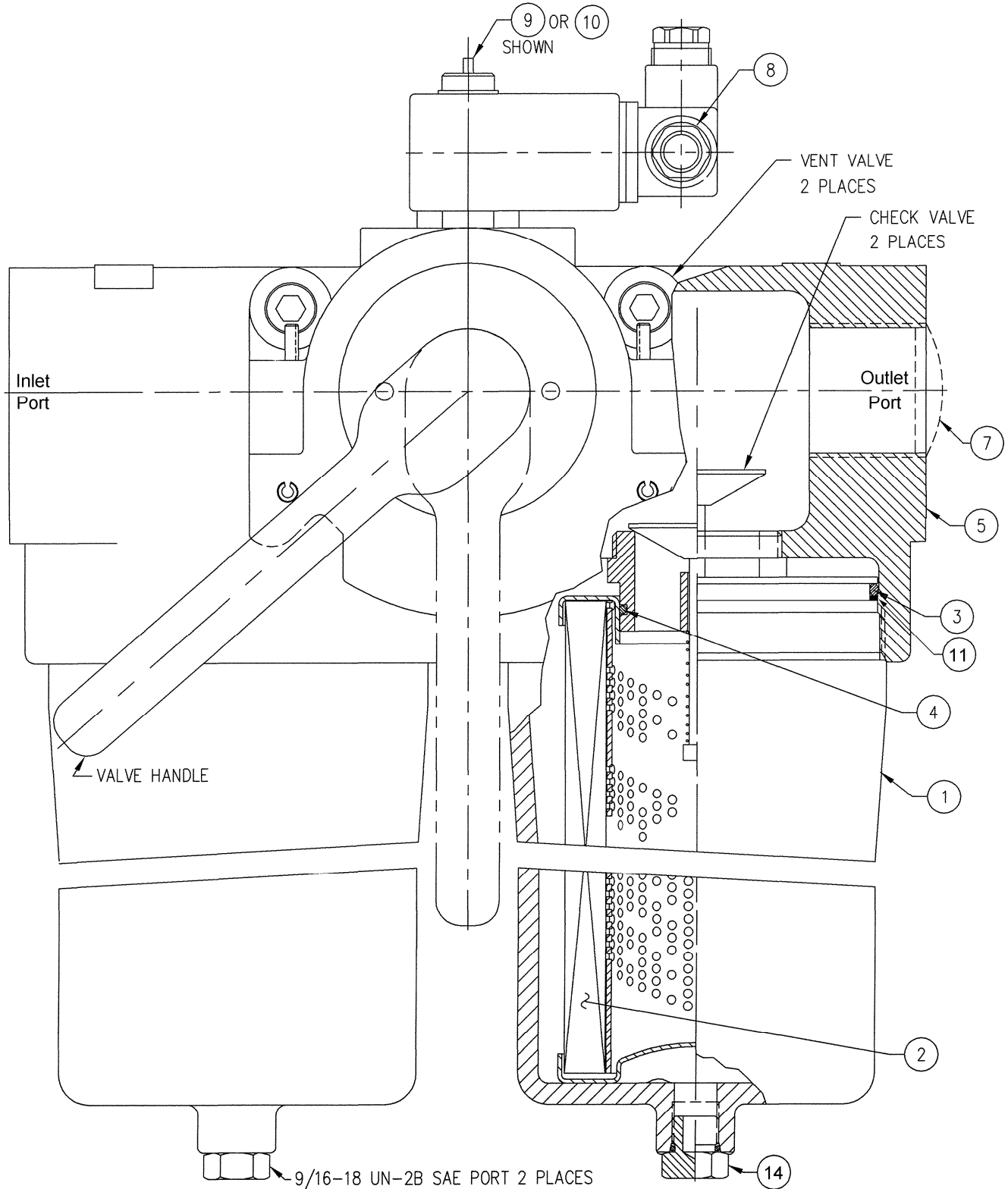
F7L Pictorial (Configuration 2)

(To be used with F7L Parts Matrix)



F7L Pictorial (Configuration 3)

(To be used with F7L Parts Matrix)



Internal O Ring information

